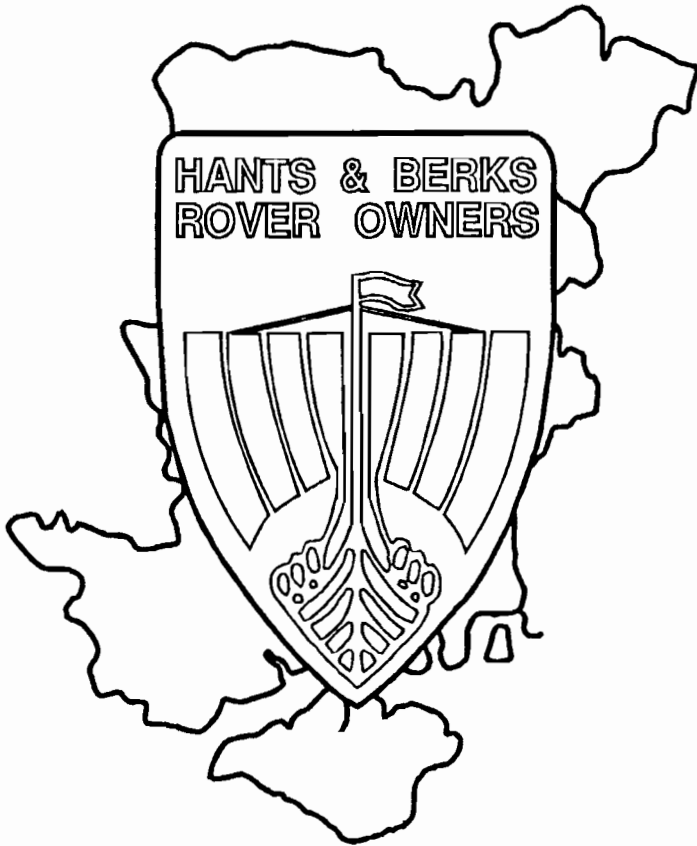


Pants & Barks

May 1993



Newsletter of the Hants
and Berks Rover Owners

Officers of the Club

*CHAIRMAN	Dave Ridden, 9 woodlands Gardens Romsey, HANTS SO51 7TE	☎ 0794-514834
*SECRETARY	Gary Hodgson, 5, Beckham Lane, Petersfield, HAMPSHIRE GU32 3BU	☎ 0730-267146
*COMPETITION SECRETARY	Tracey Doherty, 82 Alamein Road, Waterloo Park, Aldershot, Hants. GU11 IQ2	☎ 0252-27198
*TREASURER, MEMBERSHIP SECRETARY, NEWSLETTER DISTRIBUTION	Adrian Bolge 36 Rectory Avenue, Farlington, Portsmouth HANTS PO6 1AL	☎ 0705-377488
*RIGHTS OF WAY OFFICER	Steve Kirby, 244 Staines Road, Twickenham, MIDDLESEX TW2 5AR	☎ 081-894-3961
SCRUTINEERS	Gary Hodgson, Steve Kirby #, Steve Barnwell # (0908-616878)	
ROVER RESCUE CO-ORDINATOR	John Dowdeswell, 18 Lechlade Gardens, Fareham, HAMPSHIRE PO15 6HF	☎ 0329-220859
NEWSLETTER EDITOR	Steve Kirby, (address above)	☎ 081-894-3961

Notes:-

- * denotes committee member.
- # denotes members of ARC Scrutineering Committee.

"Hants & Berks Rover Owners" is a member of the ARC and the Association of Rover Clubs), the RACMSA (RAC Motor Sports Association) and the ACSMC (Association of Central Southern Motor Clubs.)

Editorial...

After last month's tirade, there doesn't seem to be much to say. No, I'm not ill, I'm just waiting for all those articles to roll in!

Trials Handbook - Latest

The Trials Handbook seems to have met with the approval of the committee and following some minor alterations, distribution to members at club meetings has started. These are white cover drafts, but I'll do the next batch in colour to make them prettier and to differentiate them from P&B which is always white. So if there is an argument about crossing tracks, looping or taking a shunt, then the solution is now in writing.

Most clubs, including this one, tend to rely on the "It's always been done that way" method. That's fine for HBRO members, who pick up standard practices as they go along, but not for any visitors who may now be lent a copy before they compete.

Steve Kirby

ARC Vehicle Regs 1993

We are still getting new members so it might be as well to remind you that the ARC yearbooks you all have are now out of date. I have produced a booklet containing the new set. The 1993 rules are applicable now so the 1993 Rule Book will appear hopefully for distribution soon. Please bear in mind the Roll-bar rules and the Scrutineering article in the ARC Yearbook are still valid. Remember too, that the regulations in the RAC Yearbook also apply to us. Members of the committee will endeavour to hand these new rule books out to regular competitors at events or club evenings. Please write to me or phone if you want me to send you one.

Steve Kirby

Copyright Notice:-

Unless otherwise indicated, articles and items in this newsletter (except those that refer to forthcoming events) may be reproduced without prior permission on condition that the author and the HBRO are acknowledged. References to forthcoming events may be published only with prior written permission.

Come and Play

We have mentioned several times before that setting out a trial can be great fun. Try it; and take the load off some of the others who seem to do it all the time. There are several events advertised this month. Please contact the event secretary who will put you in touch with the clerk of the course. He or she will tell you where and when to meet the setting-out team so you can help with the design of the course. Please don't just turn up "sometime" during the day and expect to find them. You may not even be able to get onto the site as they may well lock up behind them to prevent "strays" getting into the land uninvited. It's worth giving up the chance to compete in exchange for a whole day driving around the site while setting out!

Hi There!

Are you a new member attending the pub meet? Please don't just "Hover" in the background! There are about 190 members in all and the regular members of the club don't know everyone by sight and so won't know whether you are new or not. We aren't ignoring you deliberately, we are probably just carrying on with the conversation we left last time! Come and interrupt.

I know I say this every month, and the old hands will be getting fed up with it, but we are still gaining members week by week....

Navigation Scatter, RTV & CCV Trial & Green Lane Trip at Broxhead Common, April 30th - 3rd May

We are holding navigation scatter on May 1st and an RTV and CCV trial on May 2nd at Broxhead Common, near Bordon, halfway between Petersfield and Farnham, HANTS. The events are open to all fully paid-up members of HBRO. Entries should be on an official entry form if possible. The fee for the scatter is £5. The first 12 entries booked with Tracey (Address inside front cover) will be accepted. Start is at 5:00 P.M. / 17hrs on Saturday. Vehicles must be road legal. Camping from Friday night is available less than a mile down the road. BBQ on Saturday and Sunday; bring your own food. The trials fee is £12 in advance or £15 on the day. Payment to Tracey Doherty. Scrutineering will be at 9:00 a.m. and the competition will start at 10:00 a.m. prompt, so please be on time. ARC rules will apply as usual. The rules in your ARC Yearbooks are now out of date; revised sets of 1993 rules are available now. Contact Steve Kirby for your new rule book. Don't forget your MOT certificates and driving licences. RTV will be a qualifying round for the "Red Leader Shield" and the "Pilot Trophy".

Please come along on Saturday to help lay out. On the Sunday, please enrol as a marshal once in a while; we'll show you how to score if you've not done it before!

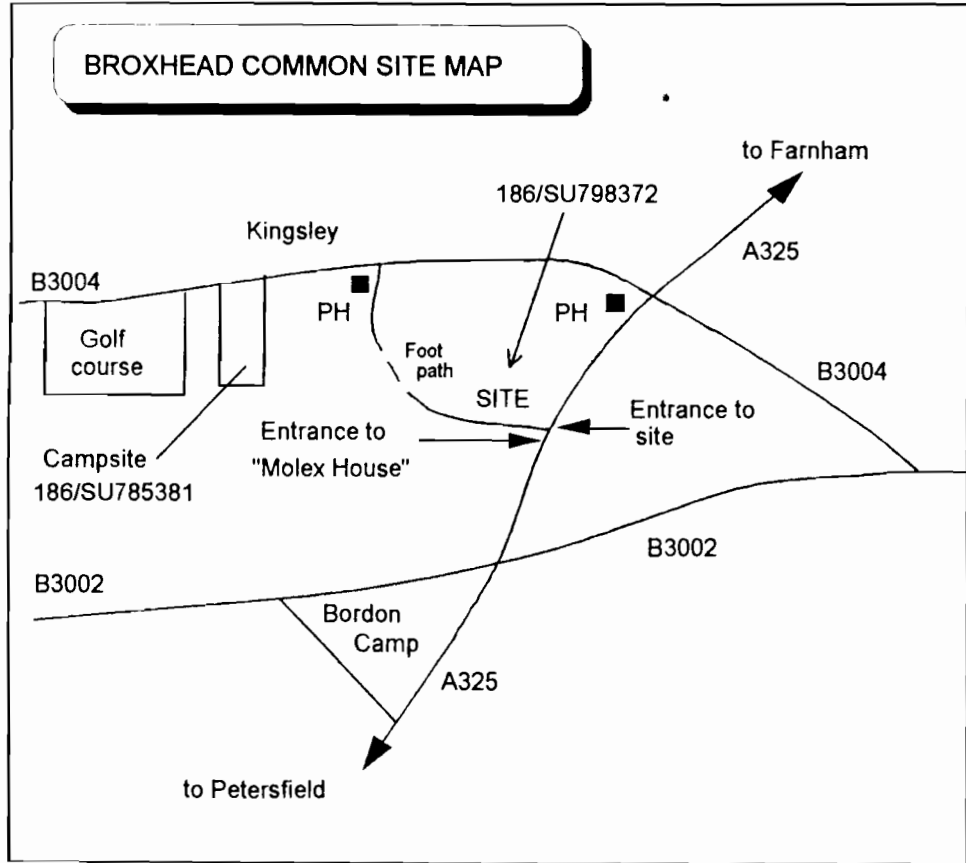
Programme of Events:-

Friday 12:00 onwards	Campsite opens.
Saturday morning	Setting out trial. Competitors can help.
Saturday 2 - 4	Scrutineering for trial at campsite.
Saturday 5 - 6	Navigation Scatter. Test your map-reading skills for £5.
Saturday 5 - 6	Mountain bike trial for the "Greens"
Saturday 7 til late	Barbecue. Bring your own grub.
Sunday 8 - 9:30	Scrutineering at Broxhead Common.,
Sunday 10 - 4	RTV and CCVT trials.
Monday morning	Green-laning or whatever.
Monday 6 p.m.	Campsite to be vacated.

All times and activities other than the trial may vary.

Anyone entering the National Rally should try to attend the Saturday scrutineering for a final check-up by an ARC scrutineer.

Camping is £2 per night per person. The site is on a football pitch in the village of Kingsley. Grid ref.: 186/ 785381. There is a shop and a pub nearby. Toilets are available 24 hours at the Par 3 golf course next door. (50 yards away) The club also has a bar and a cafe.



This newsletter is printed by:-



79 Mitchley Avenue, Sanderstead, South Croydon.
Surrey, CR2 9HN Telephone 081-651-1861

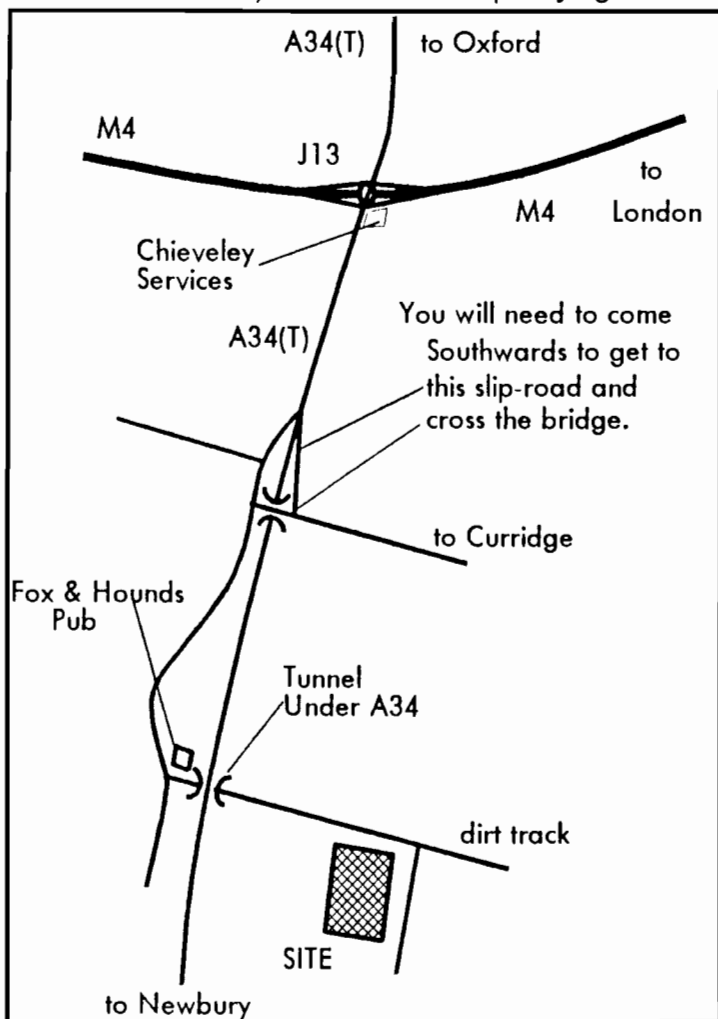
STEWART VISION VIDEO PRODUCTION

Now available:-

Munich-Marrakech Rally 1992. 90 minutes of action for only £11:99.	The Video Skill Guide to Gas Welding, by Lindsay Porter. 60 mins. £14:99.
Ben Nevis 1992, record ascent, 30 mins, £9:99.	Club Off-Road event, Tixover Quarry, 7th Feb. 93, 45 mins, £9:50.
1) Raid Aneto '90, 60 mins; 2) War of the Roses '90, 45 mins 3) War of the Roses '91, 60 mins; 4) Hereford 4x4 Show, '91, 45 mins.	Electronic Night Stick - £99:95 (p&p £5) Any two tapes 1 - 4 (left) free with this item.
The above videos are £9:99 each, two for £15, three for £20 or all four for £25.	Night Stick Autobar - £44:95 (p&p £5) Any tape 1 - 4 (left) free with this item.
ECOFLOW fuel saving device, £44:95 (p&p £1:50)	Dual-Guard home fire / smoke / burglar alarm. £49:95. (p&p £2)
P&P on videos - £1:50 each plus £1 for each additional video.	
Any industrial, Commercial and Domestic Video work undertaken; let us quote you. Cine film-to-video transfer. Watch your old cine films on the TV. Prices start at £20 per minute for up to 1 hour; including video tape.	
<p>STEWART VISION VIDEO PRODUCTION 5a CHURCH ROAD, TADLEY, BASINGSTOKE, HANTS, RG26 6AU TEL & FAX - 0734-815495</p>	

Trial at Newbury June 27th

We are holding a trial just to the North of Newbury on the 27th of June. RTV (and possibly a CCVT) will be run. The event is open to all fully paid-up members of HBRO. Entries should be on an official entry form if possible. The fee is £10 in advance or £12 on the day. Payment to Tracey. Scrutineering will be at 9:00 a.m. and the competition will start at 10:00 a.m. prompt, so please be on time. Classes will be as per ARC rules but experience has shown that amalgamations are probable. The vehicle regs in your ARC Yearbooks are now out of date. A new rule booklet is now available from Steve Kirby. Contact him for one. (Address inside front cover.) RTV will be a qualifying round for the "Red Leader Shield" and the "Pilot Trophy".



Please come along on Saturday to help set out the sections, it's always the same few who get lumbered with this. On the Sunday, please enrol as a marshal once in a while, we'll show you how to score if you've not done it before!

Major's Trial Eastnor, 9th - 10th October.

Many years ago, the first ARC National Rally was run at Eastnor under the watchful eye of Major Harvey Bathurst, the land owner. As a gesture of thanks, the Midland ROC gave the Major a beautiful rose bowl for his mantle piece. After the event, he got to hear comments that the summer event was dry and easy and lacked real challenge. He was a tad annoyed by this and said "You should try it when it's cold and wet later in the year" So he threw down the challenge and arranged a trial in the rainy season and put the rose bowl forward as the trophy. Ever since then, an intentionally very difficult trial has been organised by MROC in October with the Major's rose bowl as the (returnable!) prize. It is therefore in keeping with this history that the weather is usually poor, with rain often creating slippery conditions making it very much a trial for the experienced driver. It is therefore particularly pleasing that HBRO should have once won the event under these conditions. HBRO is also the only club ever to field a team of three Range Rovers but not with the same result! Note that there are no runners-up in this classless event; it's winner take all. There are, however, additional prizes for nominated teams.

Anyone want to have a go? Please let me know so that I can make the appropriate arrangements.

Steve Kirby

Entering the Nationals?

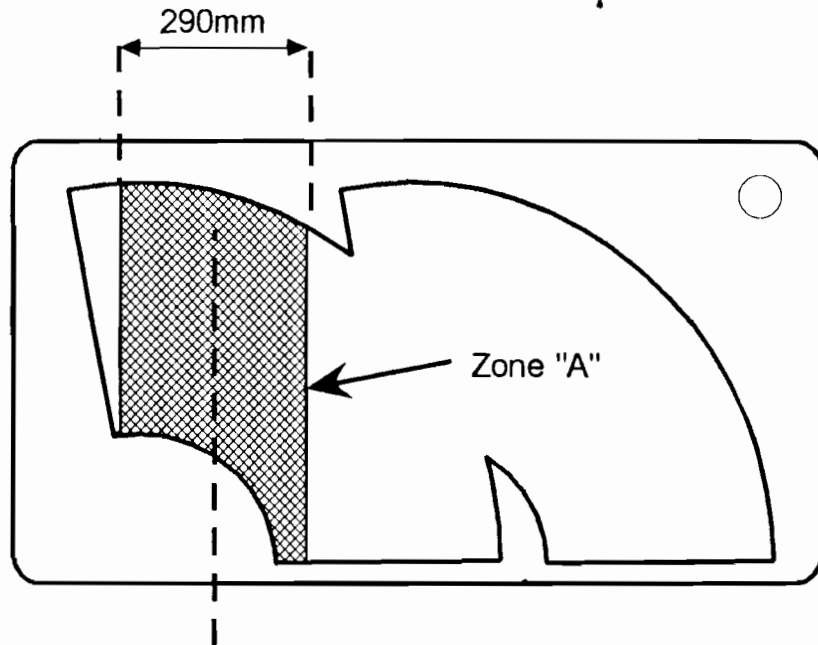
We feel that a few topics should be raised before the National Rally.

You will have seen that only one SR (Supplementary Regulation) has been issued. It relates to babcross and similar tyres. Therefore we recommend that you all carry a suitable spare wheel and tyre and paint your tow-points in a contrasting colour in accordance with RACMSA rules in case the scrutineering is as good as last year. HBRO's SRs do not require tow-points to be painted nor for CCVTs to need a spare wheel. Also check that your wheels are covered by mudguards, flares etc. and that your engine bulkhead has no holes in it. Note too that engine air intakes/filters are not permitted inside the cab.

HBRO Scrutineers

MOTs and Windscreens

There has been some publicity about the new checks to be carried out during the MOT test. This is how your windscreen will be checked. There's a piece of 290mm wide perspex that props up against the windscreen, centred on the steering wheel position. Zone "A" is that part of the windscreen common to the area covered by the perspex sheet AND the area swept by the wipers. There is another sheet of perspex with holes of 10mm and 40mm in it. The first sheet is positioned as follows:-



Centre-line of perspex
sheet and steering wheel

View of front of windscreen during test.

Reasons for rejection in Zone "A" are:-

- a) Damage not contained within a 10mm circle, or
- b) Windscreen sticker or other obstruction encroaching more than 10mm, or

c) Combination of minor damage areas which seriously restrict the driver's view.

Reasons for rejection in the rest of the swept area are:-

- d) Damage not contained within a 40mm circle, or
- e) Windscreen sticker or other obstruction encroaching more than 40mm.

NOTES:-

- Official stickers which are not readily removable, such as licences and parking permits, are a reason for rejection only if they seriously restrict the driver's view.
- Additional mirrors and tinting films are not reason for rejection.
- Original vehicle design characteristics are to be accepted.
- The vehicle's presenter should be advised of, and given the opportunity to remove, any item likely to fail under b) or e) before issuing a rejection certificate.

Basically, you can check this yourself. All you need is a sheet of card 290mm / 11.42" wide lined up with the steering wheel centre-line. From outside, have a look at the clean swept area left by the wipers. You can now do the check in accordance with the foregoing definitions.

In a vehicle where the driver is very close to the windscreen (such as a Land Rover), this 290mm / 11.42" wide zone is probably sensible, representing a reasonable field of view. In a Range Rover where the windscreen is further away from the driver, this has a different effect and represents a narrower field of view; particularly for a tall driver who will be sitting well back. A quick look at some more unusual vehicles shows serious lack of thought in devising the test. In a Renault Espace, where the driver can't even reach the windscreen, the resulting field of view is so narrow, it makes a nonsense of this test. Furthermore, just what could "seriously restrict the driver's view" is open to debate; the factors just mentioned clearly have a great influence in this decision.

This article is based on one in Essex Exploits and is reproduced (with alterations) by kind permission of the Essex Land Rover Club.

HILLRALLY 1993

15th to 17th October

Following the success of the 1992 HillRally, the 1993 event will be even bigger and better. It has been granted National B status by the RACMSA.

The headquarters will be at the Baskerville Hall Hotel, Clyro Court, in the Haye-on-Wye area of Wales. Some new stages are under consideration and the precise route is only now being finalised. The Clerk of the Course wants to ensure that there is plenty of variety in terrain.

On behalf of the committee, may I thank all those clubs and individuals who assisted in the running of last year's event and contributed to its success. This year we hope to make it even more successful and that is where I ask for your help in notifying your members who may wish to compete or marshal

COMPETITORS:- Regulations are now available if you send a large SAE to:-
David Mitchell, Clerk of the Course, The Steppes, Pen-y-ball Hill, Holywell, CLWYD. CH8 8SZ.
A deposit of £50 will be required to book your entry.

MARSHALS:- Those with "86" radios who wish to assist should contact:-
David Mostyn, Chief Safety Officer, 3 Woodlands Avenue, Cheadle Hulme, Cheadle, CHESHIRE, SK8 5DD.

All others wishing to assist should contact:-
Ian Howells, Chief Marshal, 33 Gethin Terrace, Llwynceilyn, RHONDDA, CF39 9TT. 0443-682879.

Secretary of the Meeting:-
Chris Tomley, Cwm Cochen, Bettws, Newtown, POWYS, SY16 3LQ. 0686-650430 (home) 0686-626641
(business) Fax 0686-628618.

Chris Tomley

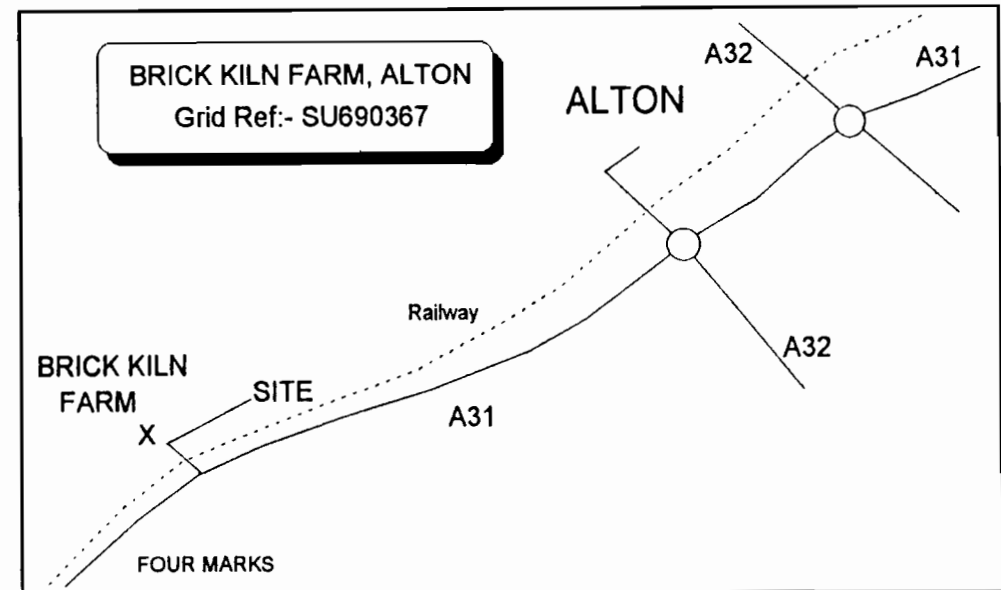
Camping and B&B is cheap and plentiful in the area. Hugh Glossop, now living near Builth Wells, will act as local host/co-ordinator for HBRO members.

BARBECUE , FIREWORK DISPLAY and TRIAL at Brick Kiln Farm November 5th, 6th & 7th.

We are holding a Bonfire Night Barbecue and bonfire with fireworks and RTV and CCV trial on the 5th, 6th & 7th of November at Brick Kiln Farm, near Alton, HANTS. The event will be open to all fully paid-up members of HBRO. Entries should be on an official entry form if possible. The fee is £12 in advance or £10 on the day. Payment to Gary Hodgson. (Address inside front cover.) Scrutineering will be at 9:00.a.m. and the competition will start at 10:00.a.m. prompt, so please be on time. ARC rules will apply as usual. Those in your ARC Yearbooks are now out of date; revised sets of rules are available now from Steve Kirby. The new ARC handbook is delayed, so consult club scrutineers for clarification. Don't forget your MOT certificate and driving licence. RTV will be a qualifying round for the "Red Leader Shield" and the "Pilot Trophy".

Please come along early on Saturday to help set out the sections and organise the barbecue. Please bring all your own stuff for Saturday night. A contribution of fireworks would be appreciated. Facilities are minimal. On the Sunday, please enrol as a marshal, we'll show you how to score if you've not done it before!

More details, site fees etc. nearer the time.



Members' Discounts

Company	Facilities	Discounts etc.
Brooklyn Engineering. 0703-252281 0703-269990 (fax)	Spares, servicing	Depends on what you are buying, but about trade prices.
RoverTune. 0734-842777, 0734-842000, 0860-560556 0734-843019 (fax)	Spares (new and s/h), servicing. (Range Rovers a speciality)	Trade prices, regular special offers.
Wadham Kenning, Guildford	Vehicle sales, spares, servicing.	To be advised.
J.W.Clark's Exhaust and tyres 0705-671231	Exhaust systems, tyres.	Good selection of exhausts from Series One to RR. Trade price less 10%
Urquharts, Petersfield. 0730-261022	Spares.	Cost+20% on non-franchise parts. Trade price on others.
Country 4x4, Terry Vincent, Calcott, Reading. 0734-412412, 0836-577892	Spares (new & s/h), servicing. (Range Rovers only). Custom bull-bars by SIMBARS.	No set discount but very hard to beat prices!
Southern Winch Centre, Southampton. 0703-270600	Superwinch, Warn, Ramsey, Rule winches. Winch accessories, ropes (£2:60/m incl loops), Hi-lift jacks, spotlights etc	Discounts vary but very competitive prices and free fitting on winches.

These companies / dealers are offering discounts to HBRO members on items specified.

Don't forget to take your membership card with you!

If anyone can add to this list, please contact Steve Kirby with the details.

Special Services Section

This section is for members who are **self-employed** and can provide special services to club members. Entries below are free on condition that some discount is given to members.

BUILDING GENERAL:-

Steve Ellis, builder, bricklayer. 0635-38056

CARPENTRY (CONTRACT & HOUSEHOLD)

Nick Woodage. Liss, HANTS. 0730-894418

COMPUTER SYSTEMS, PCs etc.

Hugh Glossop. Home tel: 05912-231, Mobile - 0836-236564.

ELECTRICAL:-

J. W. Bull, HANTS Tel: Southampton 865675

FENCING MANUFACTURERS & ERECTORS:-

S.OSBORN & SON. Newport Pagnell, BUCKS, 0908-616564

FIRE PROTECTION:-

Romsey Fire Protection Consultants/sales. HANTS. Tel: Romsey 514700.

INTERIOR DESIGN, UPHOLSTERY etc.

Winsdale Interiors Ltd. Design, upholstery, furniture restoration, carpets etc.

Bruce Cowan, Southampton. Tel:0703-555585 Fax:0703-559541

PLUMBING/CENTRAL HEATING:-

Dave Ridden, HANTS. Tel:-Romsey, 0794-514834

J. W. Bull, HANTS Tel:-Southampton 865675

PRINTING:-

Mark & Isobel Wardley, "KEYLINK" Croydon, SURREY.

Tel:- 081-651-5722 (home) or 081-651-1861 (works).

Nigel Leak. "MULTIPLEX". Hungerford, BERKS. Tel: 0488-685213.

TRANSPORT:-

"Group Lewis Industries". Heavy vehicle and other transport. Reading area.

Call Mark Ambler on 0831-345485(mobile)

VEHICLE REPAIRS/SERVICE/SALES/RECOVERY:-

John Dowdeswell, "Traction Force Rescue". Recovery and Transport.

Fareham, HANTS. Tel:0831-551055 (business) 0329-220859 (residence)

P. J. Cooke, Tel: Headley 234 (workshop) Thatcham 62163 (Home)

James Wallis, West Meon, HANTS. 0730-261565.

Steve Barnwell Motors, Newport Pagnell. BEDS.

Tel: 0908-611413 (Works), 0908-616878 (Home)

Andy Flanders, "Tring 4-Wheel Drive", Tring, Tel: Berkhamstead 872523

WATER TREATMENT/FILTRATION (Domestic):-

K. Chippendall-Higgins, Havant, HANTS. Tel:0705-470183, Fax:0705-453539

WELDING / FABRICATION:-

Neville Dewdney, Aldershot, HANTS, 0252-28185

For Sale

Note that small ads are free but please let me know when a sale is complete so I don't keep printing an out of date ad each month. I know I forget sometimes so you may need to remind me more than once! Please help potential customers by quoting location and dialling code in your adverts. Thanx.

Commercial Adverts:- £25 per 12 issues per half page. Due to layout considerations, consecutive publication cannot be guaranteed. (Add 50% if continuity is essential.)

All adverts are dated as to their first month of publication. When they become about 6 months old, they will be dropped unless the "owners" renews them!

* Breaking Range Rover All parts; engine, gearbox (2), seats, Power-steering, axles, bodywork, etc. etc. Contact James Wallis in West Meon on 0730-261565 (MAY93)

* JJ Walker's Clearout. LWB bits:- chassis; 2.6litre engine; gearbox (VGC); axles with 3:54 diffs; fuel tank; tailgates (2); bonnet without wheel carrier; windscreen; wiring harness; brake pipes; speedo cable; etc. SWB Ila bits:- Gearbox (VGC); cargo bay / tub; LH & RH wings; bonnet with wheel clamp; seat-box; windscreen c/w wipers and motor; rollcage with front hoop; bumper (this is a serious nudge-bar); radiator c/w mount; Four 6:50x16 Firestone SAT tyres on rims, c/w tubes (VGC); 2 axles c/w shocks & leaf springs; mudshield; six 6:50x16 XCLs on rims c/w tubes. (VGC). PLUS:- Ser III bulkhead (VGC); ser III wings; RR/Disco nudge-bar. Contact J. J. Walker. 0252-28494 (APR93)

* Gary's Range Rover Extravaganza Top tailgate, heated, tinted, no rust, £95. Late spec. tinted sliding sidewindows with black frames, £80 pair. Two doors (off 2-door), bit battered, good for spares, £5 each. Two gas struts for tailgate, £5 pair. Heater with motor and matrix, £20. Bonnet, tatty, £5. Two rear bumpers, £10 each. Complete set of cloth seats, fronts tatty, £20. Contact Gary Langton in Portsmouth on 0705-388929 (FEB93)

For Sale

* Land Rover accessories:- Brownchurch roof-rack with ladder, for SWB Station Wagon; £85. Wrap-round bull-bar for Series III, £50, Series II windscreen, £25. Set of 5 SWB wheels, £25. Call Angie Marynicz on 0666-822348 (OCT92)

* Mick Maskelyne's Miscellaneous Market:- Wrap-round bull-bar for 90, £50; 90/110 side step, new, boxed, £20; 90/110 nearside front spat (shiny black), new, £25; Range Rover front valance, plastic, £25; 109 rear axle complete, £45; Two 109 canvas tops, no sticks, £50 each; TIRFOR hand winch, 3¼ton safe working load, complete, very little use, £125; V8 110 engine. 89000 miles, worn cam, £50. Range Rover heater complete, £5. Numerous Series Ila bits, phone for details. Some early 90 door trim, offers? Contact Mick Maskelyne in Newbury on 0635-874013. (MAR93)

* Land Rover 90 / 100 items:- Galvanised front bumper and nudge-bar for 90/110 - £35. Full up-to-date workshop manual in LR binder for 90/110 - £30. New KERR rope - £35. Phone Bruce Cowan in Southampton on 0703-559541 (JAN93)

* BettaWeld front roll-bar hoop and stays only. Fit BettaWeld or practically any other ARC spec roll-cage, £25. 2¼ petrol engine; runs but may need new head gasket - FREE! Please come and take it away. Contact Nick Carter in Slough on 0753-586606 (work) 0753-675659 (home) (APR93)

* Steve's Sale Series Ila bits:- Gearbox; Front panel and Grille; Bonnet; Complete Dash set; Single-wiper motor; Indicator unit for column; Flat type Smiths heater and pipes; Military oil cooler; Truck cab (will fit series II or III; Series III radiator; PLUS loads of small bits and pieces such as alternators etc. etc. Phone for details or to make an offer. Phone Steve Ellis in Newbury on 0635-38056 (FEB93)

* Land Rover Parts, Series Ila:- Back body, seat-box, bonnet, 3 sets SWB wheels, 2¼ petrol engine for rebuild. Series One:- 86" front and rear axles. Offers to Mark Furnell on 0635-578665 (JAN93)

Vehicles for Sale

* 1982 Series III 88" Hard-top. Side windows, 2¼ petrol engine, Overdrive, Free-wheel hubs, mechanically sound, good chassis, body needs tidying up, 205-16 radial tyres. £1950. Offer to Philip Furnell on 0635-578665 (JAN93)

* Series I 107" Pickup. Straight body, new ¾ tilt, unfinished restoration, some work done, some still to do. Log book available. Increasingly rare vehicle - interesting project to complete. Offers to Mark Furnell on 0635-578665 (JAN93)

* Land Rover Series III T-reg., Green, truck cab, 750x16 tyres, 2¼ petrol, NATO hitch, MOT. £1100. Contact Mick Maskelyne in Newbury on 0635-874013. (MAR93)

* 1983 V8 90 Hard top. EFI 3.5, 4-speed ZF auto box, Salisbury rear axle, power steering, SATs, 8274 Warn electric winch, 92000 miles, full MOT. Must be seen. £4800. Contact Mick Maskelyne in Newbury on 0635-874013. (FEB93)

* 86" Land Rover Special. Professionally built on 1987 Range Rover chassis to ARC Specs. Auto gearbox. Full roll-cage. Bucket seats. New hood. MOT. Taxed. Suitable for trials, Safari, Team Recovery etc. This magnificent vehicle must be seen to be appreciated.. £3995. Contact Brian Warn in the evenings please in Oxford on 0865-63985. (DEC92)

* OneTen County 12 seater, 1983. 5-speed, 4-cyl. petrol. MOT to December 1993, taxed to May 93, 41000 miles only, good tyres, reluctant sale. £3995 Contact Nigel Leak at work in Hungerford on 0488-685213 or at home in Newbury on 0635-248598. (JAN93)

* 1957 Series One Land Rover 88" truck cab. Ex-WD. Original 2 litre engine. Very good chassis and bulkhead. Very good 6:50x16 tyres on split rims. Tow-bar and electrics. 12 months MOT. Offers around £1100. Contact Dave Flack in Chesham, BUCKS on 0494-782864. (NOV92)

Events for Your Diary

*First Wednesday each month, Noggin & Natter at the Hind's Head, Aldermaston. (From 7:30 p.m. Plus Land Rover related videos if possible)

*Last Wednesday each month, Noggin & Natter at the White Swan, Bank Street, Bishop's Waltham, Hants. (From 7:30 p.m.). See OS sheet 185, SU555175 approx.

*Green-lane trips will usually be on the second Sunday of the month. See list below. If this second Sunday clashes with an HBRO trial, then it may be moved to the first or third instead. Tracey will try to book trials on dates other than the second Sunday where possible. There will be someone present to indicate rights of way on the maps. It is recommended that those involved obtain current maps of Hampshire and Berkshire, or borrow the club's set. If there is a lot of rain on the few preceding days, anticipate postponement.

April 30th-May3rd	Trials at Broxhead Common. Details elsewhere.
May 9th	Green lane trip near Alton. Sheet 186, ref: 702373. Lay-by 100yds SW of roundabout at junction A31/A32 S of Alton. 9:30 - 10:00 start.
May 29th - 31st	ARC National Rally, Eastnor.
June 12th	ARC EGM Solihull.
June 18th - 21st	Camping / caravanning weekend in New Forest. Coincides with Beaulieu Nostalgia Weekend. Details elsewhere in this issue.
June 27th	Trials at Newbury. Details elsewhere.
July 24th - 25th	Invite from East Northants ROC to a play-day near Northampton. All vehicles must be road-legal Rovers and drivers must have full licence. Fairly tough off-road course/terrain. Fee £5 per day payable to ENLROC. Applications to Dave Vaughn, 1 Wood Avens Close, Northampton, NN4 9TX. Tell him which day(s) you want to visit. No map yet.
August 27th-30th	Dorset Steam Fair. Details later.
August 6th - 8th	SROC invite to Battlehurst Farm, Petworth, Sussex. Gymkhana - Sat. 7th, RTV - Sun 8th. More info later.
September ??	Annual Rally. Date not set. 5th or 12th
September 4th	ARC EGM Solihull
September 19th	Trials at Slab Common. Details later.
September 28th	Land Rover factory visit. 30 people. Apply to Gary Hodgson. Price not set yet.